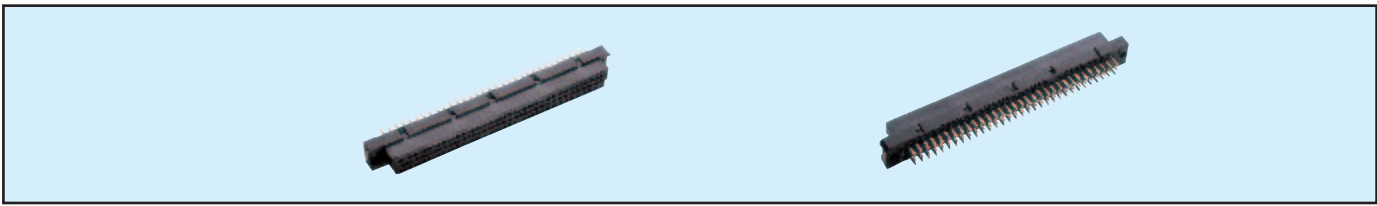


Female Style C High Temperature



Series 8557 – 3 rows (3 x 32)



Contact Design and Termination Length	Number of Contacts	Loading Description	Part Number Performance classes according to DIN 41612	
			II	I
0.6 x 0.6 mm Post Profile 4.5 mm (Y) Straight	96	a + b + c fully loaded	20 8557 096 001 025	20 8557 096 001 049
	64	a + c fully loaded	20 8557 096 001 026	20 8557 096 001 050
	32	a + c even loading	20 8557 096 001 033	20 8557 096 001 057
	32	a loading only	20 8557 096 001 027	20 8557 096 001 051
0.6 x 0.6 mm Post Profile 2.9 mm (Y) Straight	96	a + b + c fully loaded	20 8557 096 002 025	20 8557 096 002 049
	64	a + c fully loaded	20 8557 096 002 026	20 8557 096 002 050
	32	a + c even loading	20 8557 096 002 033	20 8557 096 002 057
	32	a loading only	20 8557 096 002 027	20 8557 096 002 051

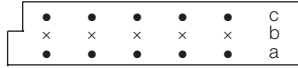
NB: Alternative Prefix Variations Available: 26, please refer to Page 10.

Additional Plating & Loading Variations: Please contact your local AVX sales office or distributor.

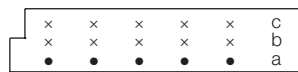
LOADING DESCRIPTION



96 contacts, rows a + b + c fully loaded



64 contacts, rows a + c fully loaded

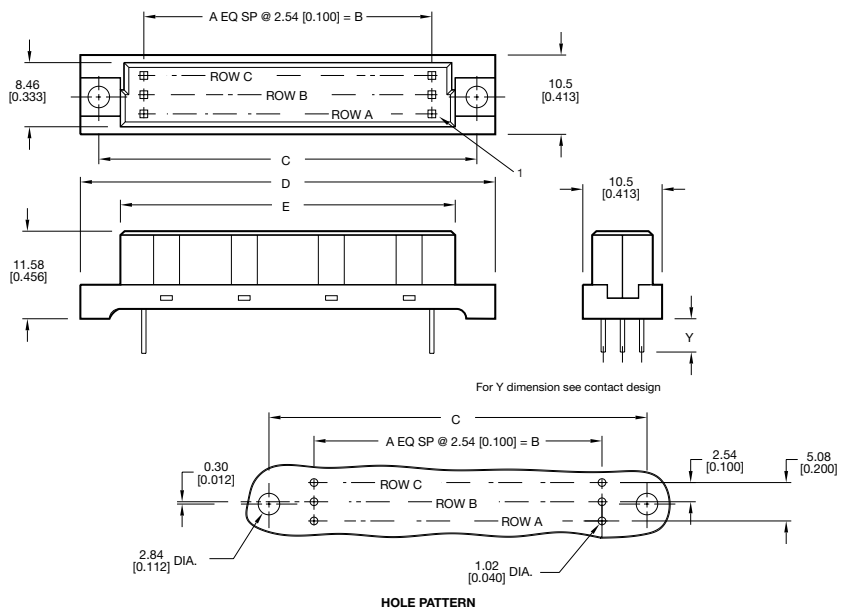


32 contacts, row a loading only



32 contacts, rows a + c even loading

DIMENSIONS



Unit: millimeters (inches)

No. Contact Positions	Contact Rows	A	B	C	D	E
96	3 (3 x 32)	31	78.74 (3.100)	90.00 (3.543)	94.89 (3.736)	84.91 (3.343)